

4

3

2

1

IMPEDANCE: 50 OHMS NOMINAL  
 FREQUENCY RANGE: DC TO 4 GHz  
 VSWR: DC TO 1GHz AT 1.10:1 MAX.  
 1GHz TO 4 GHz AT 1.25:1 MAX.  
 POWER RATING: 100 WATTS MAX. @ 40°C.  
 125 WATTS MAX. @ 25°C.  
 COOLING FIN: ALUMINUM, BLACK ANODIZED  
 HEAT SPREADER: ALUMINUM, TRI-ALLOY PLATED  
 CONNECTOR: N-TYPE MALE, TRI-ALLOY PLATED  
 OPERATING POSITION: ANY  
 NOMINAL SIZE: APPROX. 6.950" L. X 2.750" SQ.  
 WEIGHT: 42 OZ. MAX.

REVISIONS		DWG. NO.	100-ST-MN	SHEET	REV
ZONE	REV	DESCRIPTION	DATE	APPROVED	
	A	ECN #0210	11-5-98	<i>MBV</i>	

D

D

C

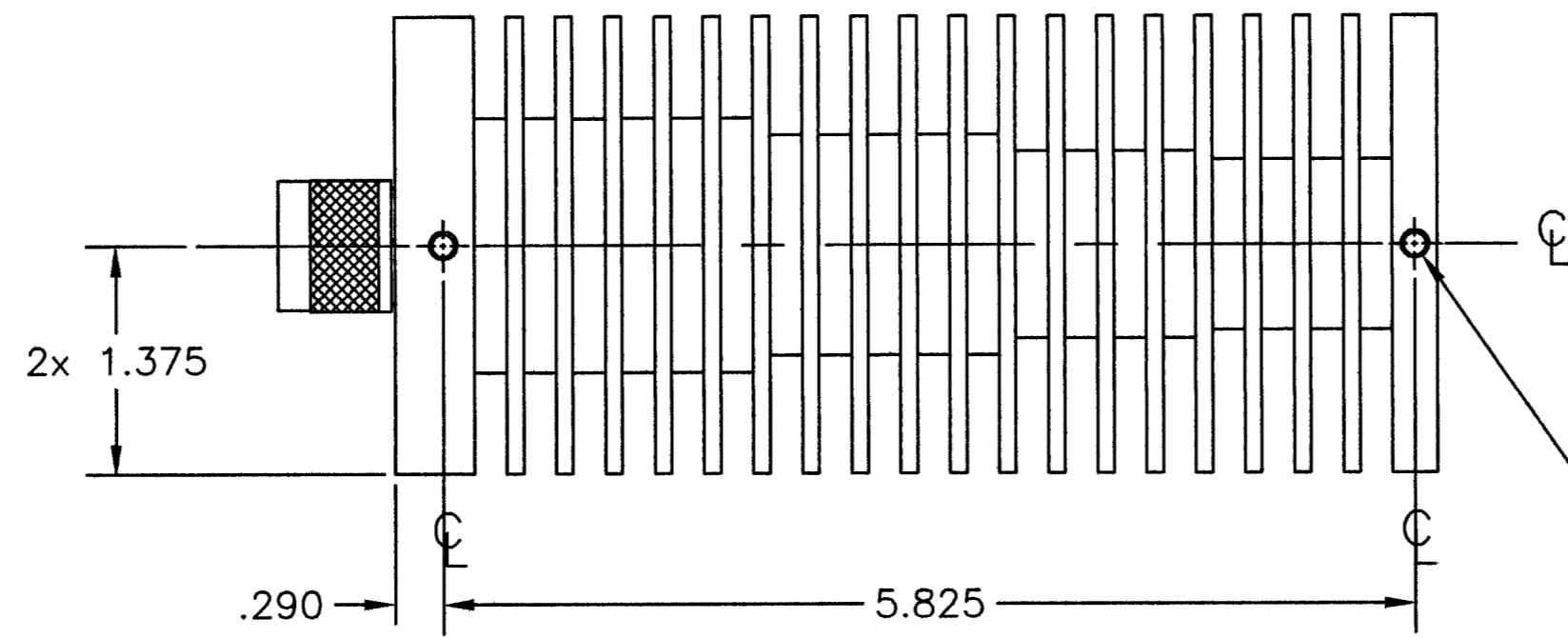
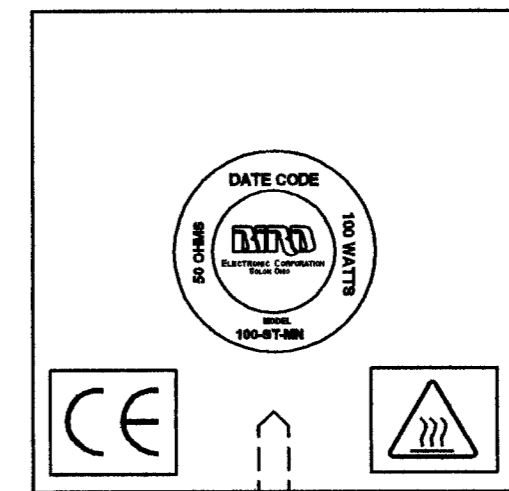
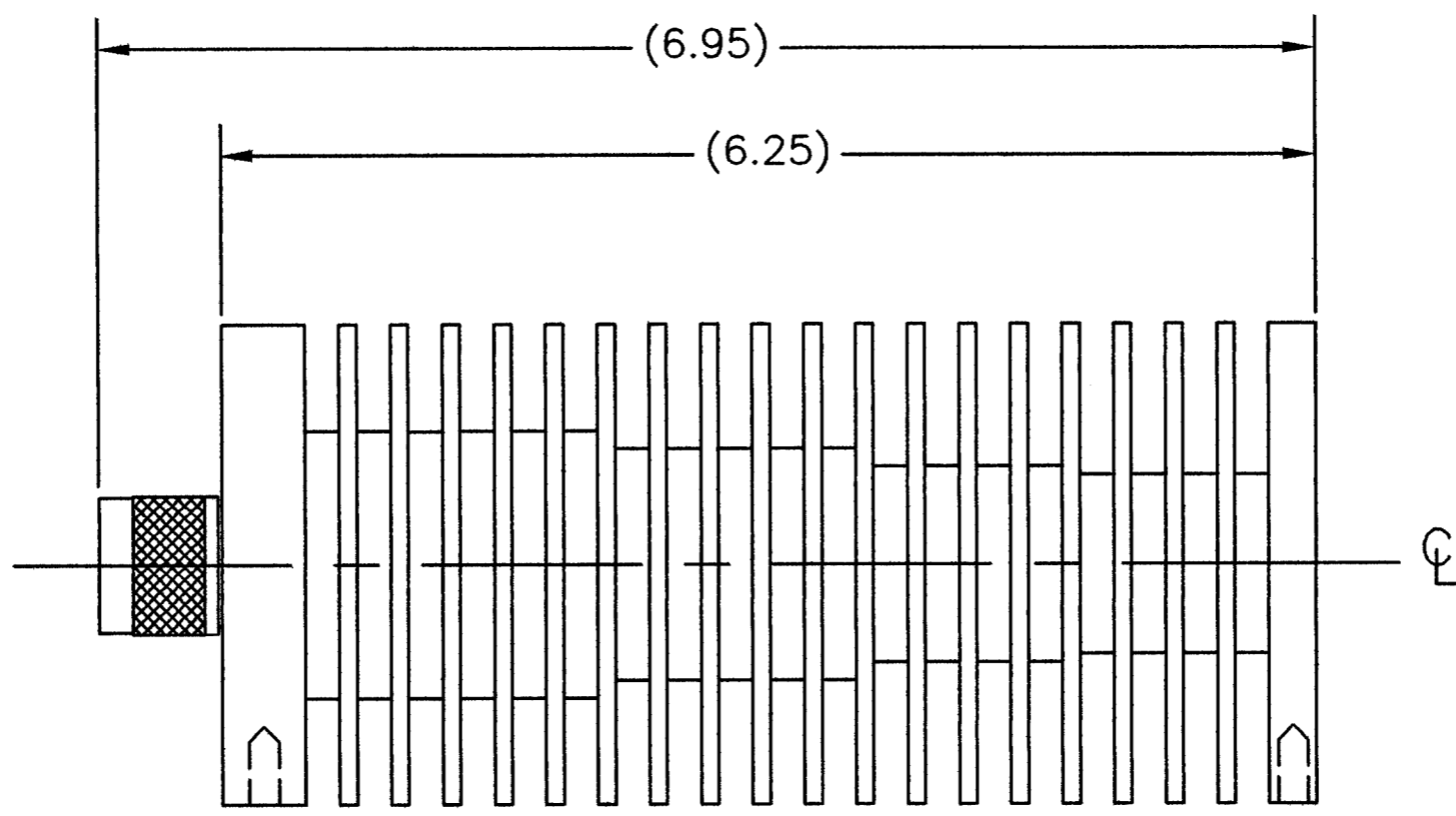
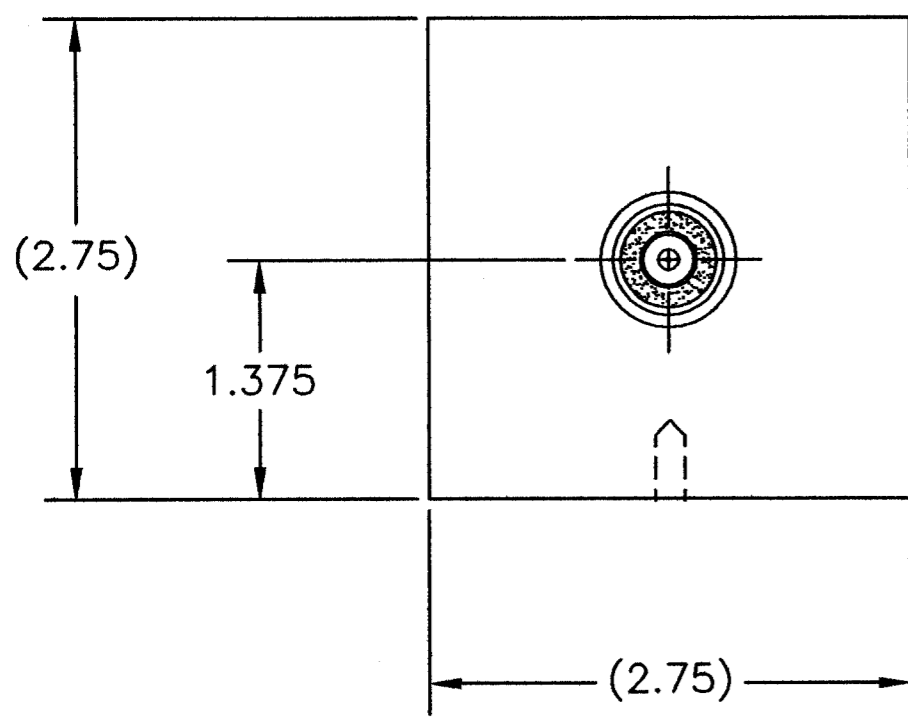
C

B

B

A

A



2x 6-32UNC-2B X .375 DEEP MOUNTING HOLES

- NOTES:
- ☒ 1. PART MUST BE BURR FREE.
  - ☒ 2. CHAMFER 1st THREAD.
  - ☒ 3. 63 MICROINCH UNLESS OTHERWISE SPECIFIED.
  - ☐ 4. PER BPS \_\_\_\_\_.
  - ☒ 5. .005 RADIUS ON ALL INSIDE & OUTSIDE CORNERS UNLESS OTHERWISE SPECIFIED.

DIMENSIONS HEREON ARE FOR CUSTOMER CONVENIENCE AND REFERENCE ONLY. TOLERANCE TO BE APPLIED ONLY WHERE INDIVIDUALLY STATED ON THE RESPECTIVE DIMENSION. -DO NOT SCALE DRAWING-

UNLESS OTHERWISE SPECIFIED DIMENSIONS ARE IN INCHES TOLERANCES ARE:		MILLIMETERS X = ±.4 XX = ±.12		THIS DRAWING IS THE PROPERTY OF THE BIRD ELECTRONIC CORPORATION. THE DESIGNS AND SPECIFICATIONS DISCLOSED HEREON ARE PROPRIETARY AND SHALL NOT BE REPRODUCED, NOR COPIED, NOR USED AS THE BASIS FOR THE MANUFACTURE OR SALE OF APPARATUS OR DEVICES WITHOUT THEIR EXPRESS WRITTEN CONSENT.			
FRACTIONS ± 1/64	DECIMALS XX = ±.010 XXX = ±.005	ANGLES ± 30'	BIRD Electronic Corporation Cleveland (Solon) Ohio USA				
DO NOT SCALE DRAWING		APPROVALS		DATE		TITLE	
MATERIAL		DRAWN D.M.RINK		11-8-02		TERMINATION, CONVECTION COOLED AXIAL, N-TYPE MALE, 100W	
FINISH		CHECKED		APPROVED <i>MBV</i>		DATE 1-13-03	
		AUTOCAD		SCALE 1:1		FSCM NO. 70998 DWG. NO. 100-ST-MN REV A	
				SCALE 1:1		COMM CODE LD1 SHEET 1 OF 1	

4

3

2

1